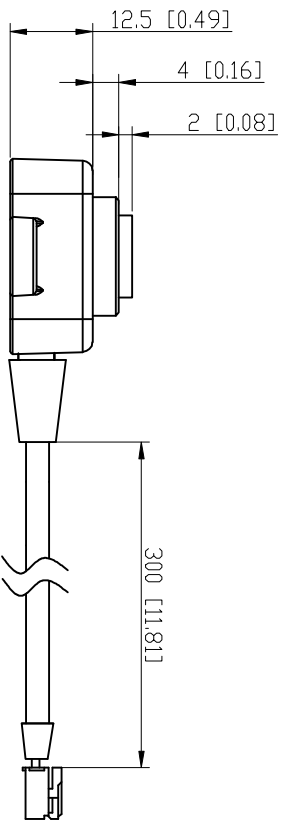
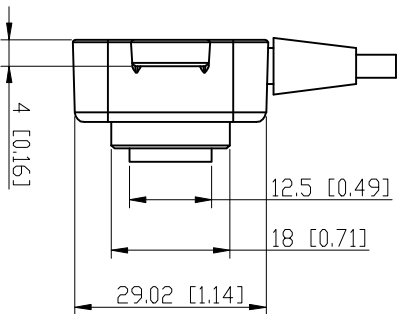
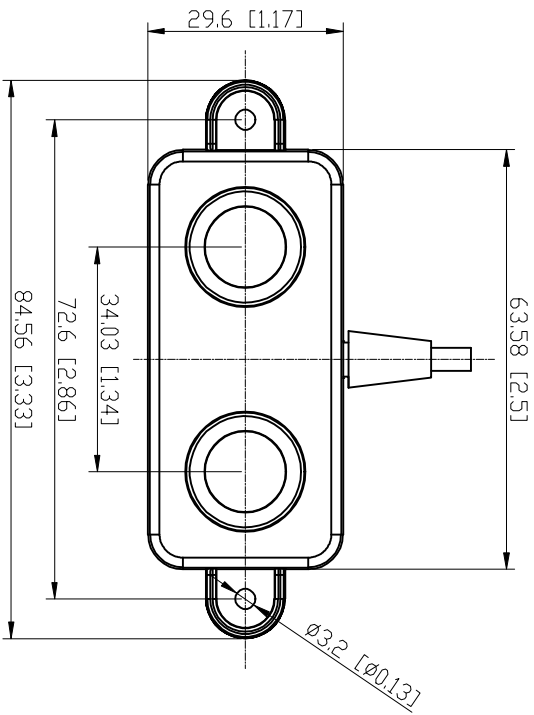


REVISION		
REV	DESCRIPTION	SIGNATURE



TOLERANCE	TITLE	属性 (属性)		APPROVED BY	CHECKED BY	DRAWN BY
0~10 ±0.1	PART NO.	深圳市电应普科技有限公司				
10~30 ±0.15	MATERIAL	Shenzhen Dianyingpu Technology Co., Ltd.				
30~50 ±0.2	VIEW	UNIT	SCALE			
50~100 ±0.3	mm/inches	1:1				
100~200 ±0.5						