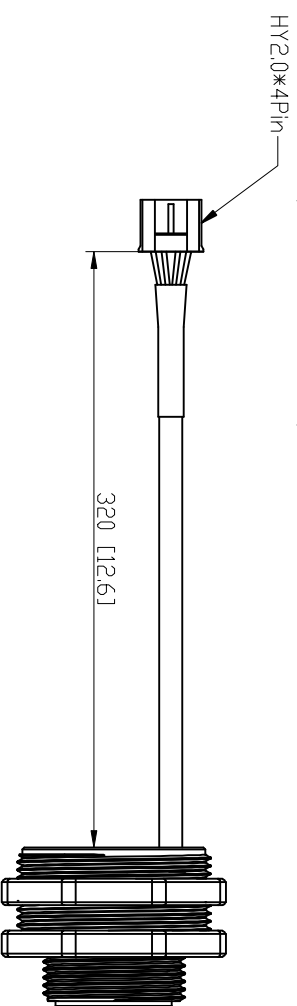
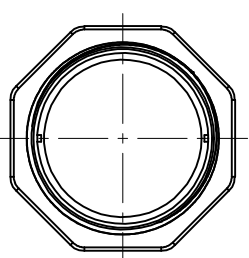
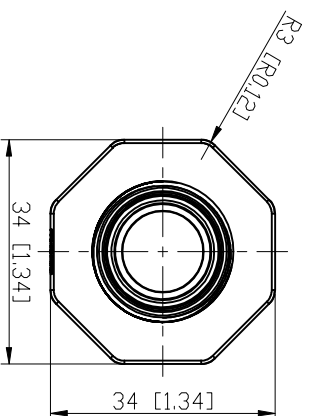
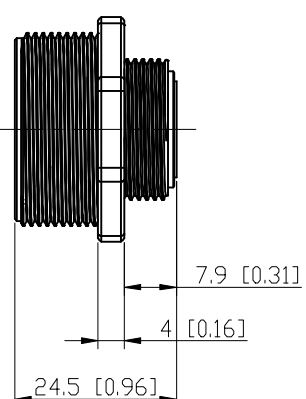
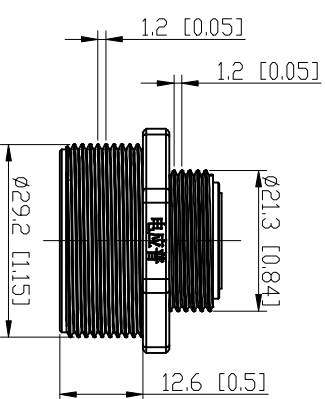


REVISION		
REV	DESCRIPTION	SIGNATURE



- 技术要求:
1. 材质:黑色ABS;
 2. 不能有毛边,划伤,缩水,变形等不良;
 3. 螺牙与螺母配合良好
 4. 未注尺寸公差见下表

TOLERANCE	TITLE	A01产品图(含接口)		深圳市电应普科技有限公司		
0~10	±0.1	PART NO.		APPROVED BY	CHECKED BY	DRAWN BY
10~30	±0.15	MATERIAL				
30~50	±0.2	VIEW	UNIT	SCALE	WEIGHT	
50~100	±0.3		mm/inches	1:1		
100~200	±0.5					
				Shenzhen Dianyingpu Technology Co., Ltd.		
				2021/8/11		