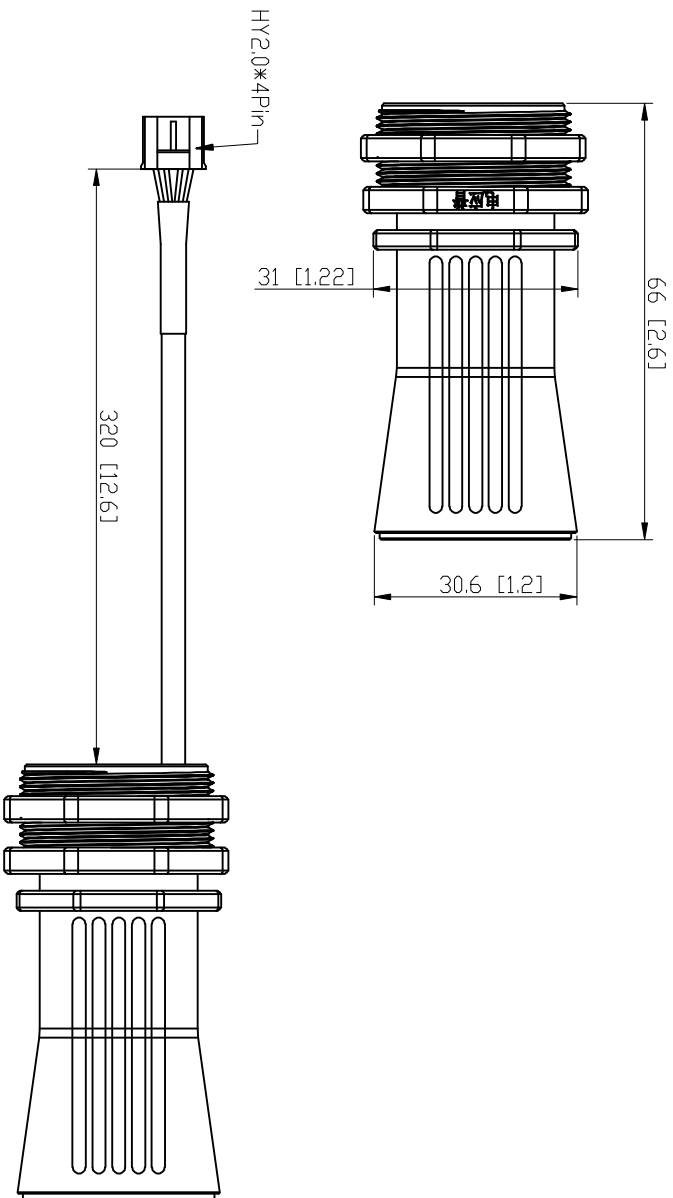


REVISION			
REV	DESCRIPTION	DATE	SIGNATURE



- 技术要求:**
1. 材质:黑色ABS;
 2. 不能有毛边,划伤,缩水,变形等不良;
 3. 螺牙与螺母配合良好
 4. 未注尺寸公差见下表

TOLERANCE	TITLE	A01产成品(带喇叭口)		深圳市电应普科技有限公司 Shenzhen Dianyingpu Technology Co., Ltd.		
0~10	±0.1	PART NO.	FINISH	APPROVED BY	CHECKED BY	DRAWN BY
±0~30	±0.15	MATERIAL	SCALE			陈良杰
±30~50	±0.2	VIEW	WEIGHT			
±50~100	±0.3	UNIT				
±100~200	±0.5	mm/inches	1:1			2021/8/11